



6532 Tower Lane, Claremore, OK 74019
 PHONE (877)-728 3278 FAX (877)-203-1998
 (A Division of Acme Manufacturing Corp.)

Trimline™ Intake Vent Type TIV

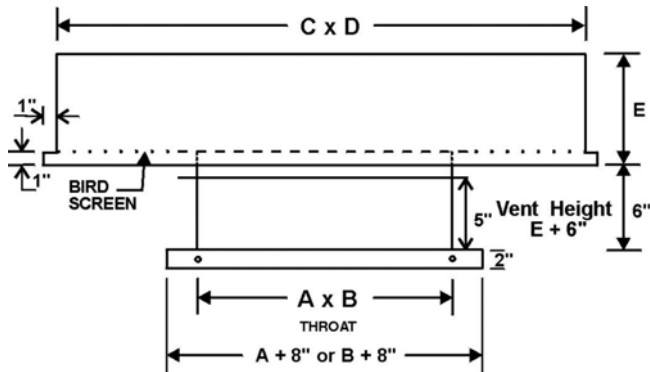
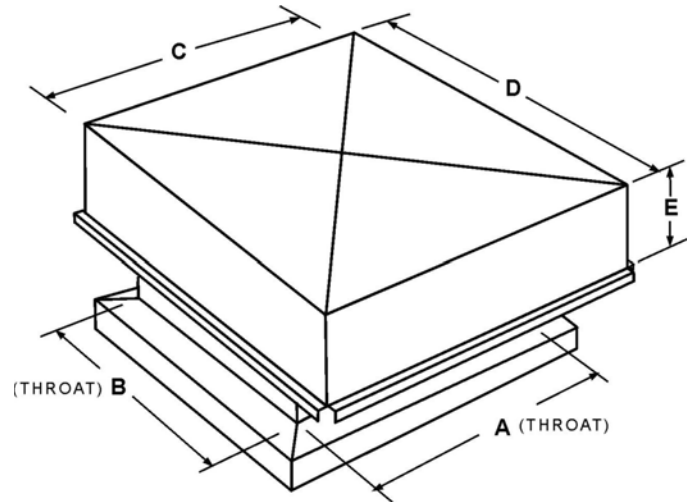
STANDARD FEATURES

- Free area at perimeter equals 200% of throat area for low velocity intake.
- Hood constructed of .050" aluminum. Base constructed of .080" aluminum.
- Hood reinforced and braced for extra strength with wide overhang for storm protection.
- Hood assembled with standing and snap back seams secured with spot welds.
- All curb cap corners miter cut and continuous welded.
- Bird screen of 1/2" x 1/2" mesh galvanized welded wire.

PROJECT	
LOCATION	
ARCHITECT	
ENGINEER	
CONTRACTOR	
SUBMITTED BY	
DATE	PO#

OPTIONS

- Hinged hood.
- Anti-condensate coating.
- 1" fiberglass insulation.
- Aluminum bird screen
- Aluminum insect screen.
- Aluminum mesh cleanable filters, 1" or 2" thick.
- 100 MPH construction.
- Snow screen: bird screen plus insect screen.
- Protective or decorative coatings.



SPECIFICATIONS AND DIMENSIONS

REFERENCE	QUAN.	Throat Width A	Throat Length B	Hood Width C	Hood Length D	Hood Height E	OPTIONS