



6532 Tower Lane, Claremore, OK 74019
 PHONE (877)-728 3278 FAX (877)-203-1998
 (A Division of Acme Manufacturing Corp.)

Metal Roof Curb Side Rib Standing Seam Type MRSR (with warranty)

STANDARD FEATURES

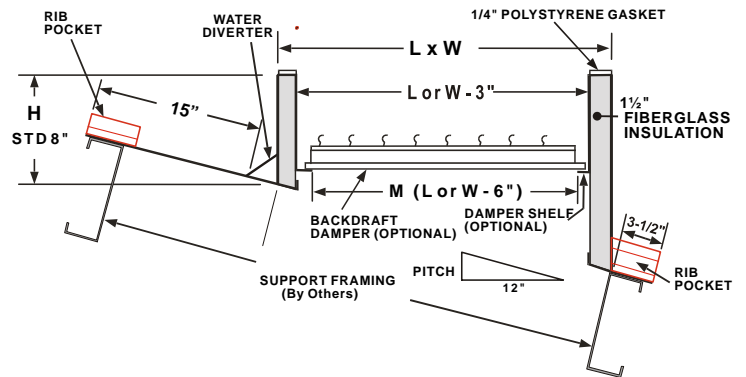
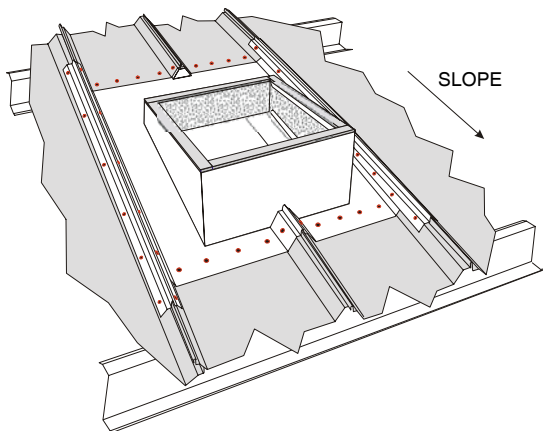
- Constructed of .080 aluminum with continuous welded seams and integral base plate for water tight construction and extra strength.
- Factory welded water tight rib pockets, designed to go over the eave side of roof sheet and under peak side.
- Integral side rib for concealed fastener 24" standing seam panel.
- Weather batten made of .032 aluminum to cover side seam.
- Peak side flashing is 15" from cricket style water diverter welded to base.
- Lined with 1½" fire proof glass fiber sound absorbing insulation.
- Top ledge covered with 1/4" polystyrene gasket.

OPTIONS

- Interior metal liner.
- Standard heights of 12, 14, 16, 18, 20, 24", or any special height.
- Damper shelf – standard or custom size damper opening.
- Back draft damper; Damper motor, 120, 240, or 480 vac.
- Security bars.
- Protective or decorative coatings.

PROJECT	
LOCATION	
ARCHITECT	
ENGINEER	
CONTRACTOR	
SUBMITTED BY	
DATE	PO#

THIS CURB IS DESIGNED ONLY FOR
 INSTALLATION OVER THE EAVE SIDE ROOF
 SHEET AND UNDER THE PEAK
 SIDE ROOF SHEET



SPECIFICATIONS AND DIMENSIONS

REFERENCE	QUAN.	L (Pitch Side)	W	H	PITCH	OPTIONS