



6532 TOWER LANE, CLAREMORE, OK. 74019
 Phone: 877-728-3278 Fax: 877-203-1998
 [A Division of Acme Mfg. Corp.]

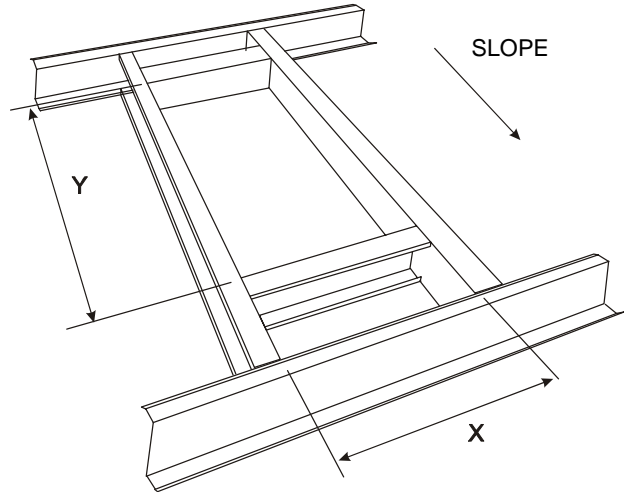
Metal Roof Curb Side Rib Standing Seam

Type MRSR - OVER/UNDER INSTALLATION INSTRUCTIONS

Step 1 - INSTALL SUPPORT FRAMING

Install support framing (furnished by others unless purchased separately from Acme). CURB MUST BE SUPPORTED BY FRAMING INSTALLED BELOW ROOF SHEET.

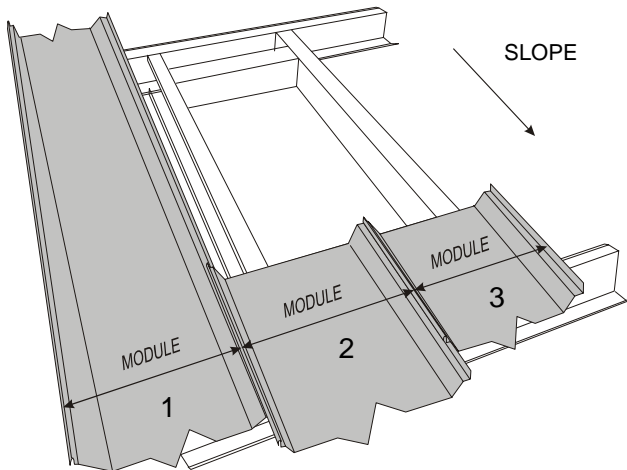
X dimension = curb width (o.d.)
 perpendicular to roof slope
 Y dimension = curb length (o.d.)
 parallel to roof slope



Step 2 - INSTALL ROOF PANELS 1, 2, & 3

Install ROOF PANEL 1 per roof panel supplier's specifications. Make sure to "hold module" on rib center-to-center spacing (for example, 24").

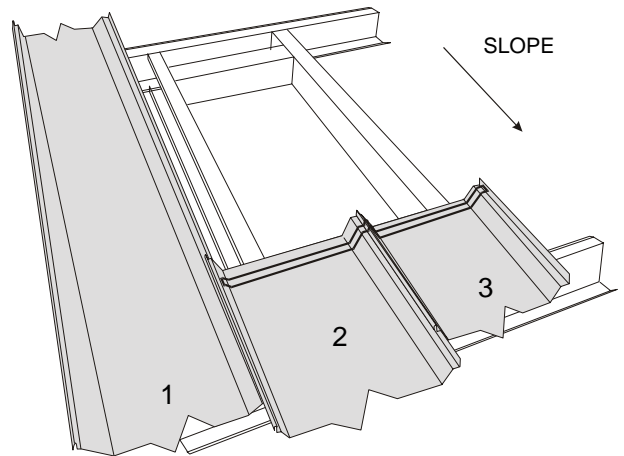
Note that downhill panels 2 and 3 do not protrude into framed opening.



Step 3 - INSTALL SEALANT ON DOWNHILL SIDE

Install minimum of 2 rows of panel sealant tape or one row of triple bead panel sealant tape as shown.

Sealant tape furnished by others unless purchased separately from Acme.





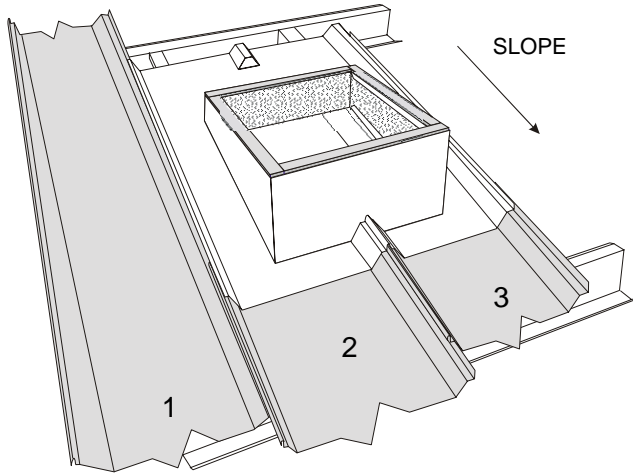
6532 TOWER LANE, CLAREMORE, OK. 74019
Phone: 877-728-3278 Fax: 877-203-1998
[A Division of Acme Mfg. Corp.]

Metal Roof Curb Side Rib Standing Seam

Type MRSR - OVER/UNDER INSTALLATION INSTRUCTIONS

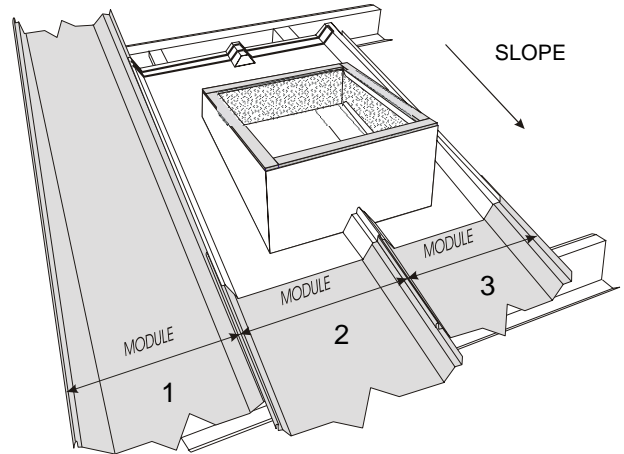
Step 4 - SET CURB IN PLACE

Install roof curb on top of panels 1, 2, and 3.
Do not screw curb to framing at this step.



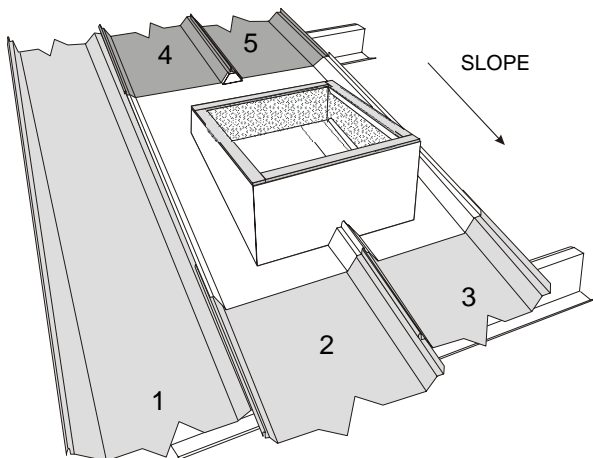
Step 5 - INSTALL UPHILL SIDE SEALANT TAPE

Install two rows of panel sealant tape or one row of triple bead panel sealant tape as shown.



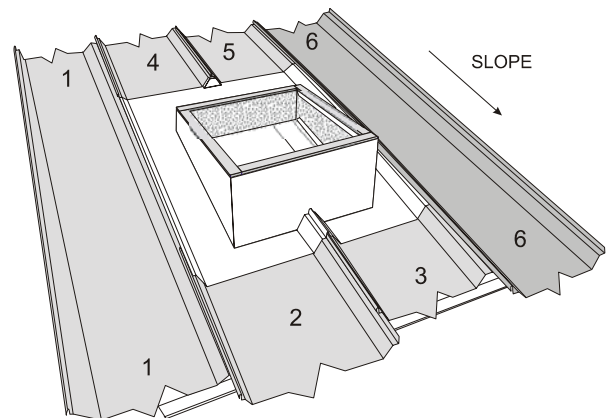
Step 6 - INSTALL UPHILL PANELS 4 & 5

Install uphill panels 4 and 5 in accordance with roof panel supplier's instructions. Lower end of panel should stop short of lower end of curb rib and fit into notches in curb side rib.



Step 7 - INSTALL PANEL 6

Install Roof Panel 6 in accordance with roof panel supplier's specifications.





6532 TOWER LANE, CLAREMORE, OK. 74019
 Phone: 877-728-3278 Fax: 877-203-1998
 [A Division of Acme Mfg. Corp.]

Metal Roof Curb Side Rib Standing Seam

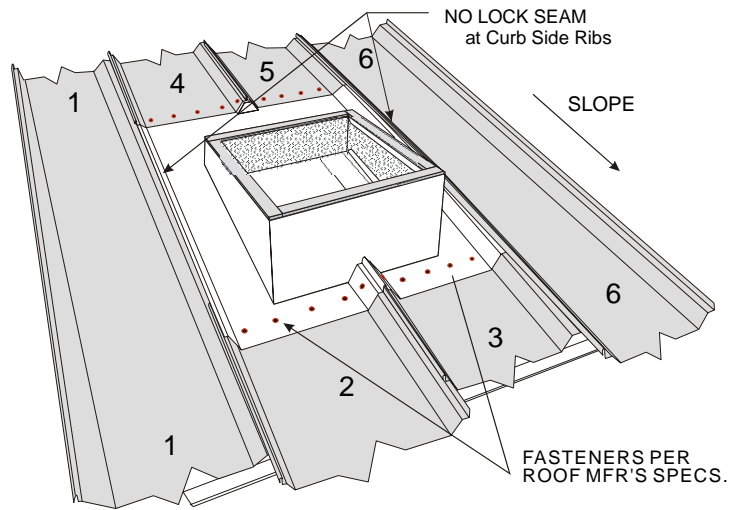
Type MRSR - INSTALLATION INSTRUCTIONS

Step 8 - INSTALL FRAMING SCREWS & LOCK SEAM PANELS

After making sure that all panels and the curb are in the proper location relative to each other and to the support framing, install screws through curb downhill side and through panels 4 and 5 on curb uphill side. (Screws furnished by others unless purchased separately from Acme).

Use screws designed for attaching to structural framing, not stitch screws.

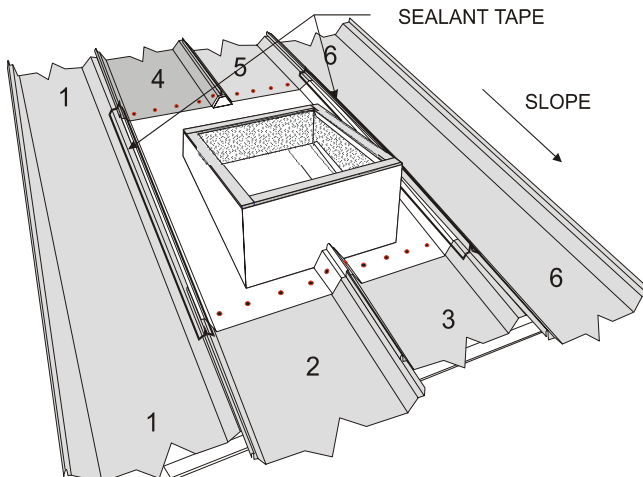
DO NOT LOCK SEAM ROOF PANEL ADJACENT TO CURB SIDE RIBS.



Step 9 - INSTALL RIB BATTEN SEALANT

Install sealant tape to perimeter of area to be covered by battens.

Sealant tape furnished by others unless purchased separately from Acme.



Step 10 - INSTALL RIB BATTENS

Install Rib Battens (supplied with curb). If more than one rib batten is required per rib, install downhill batten first, and overlap uphill batten by 2".

Use structural screw into side rib of curb.

Use stitch screw into roof panel below batten.

