

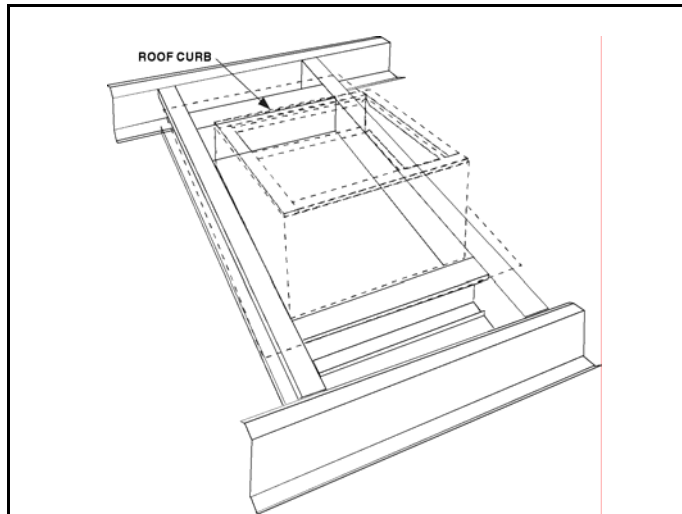


6532 Tower Lane, Claremore, OK 74019  
 PHONE (877)-728 3278 FAX (877)-203-1998  
 (A Division of Acme Manufacturing Corp.)

## Metal Roof Curb Self-Flashing Type FCMR-3

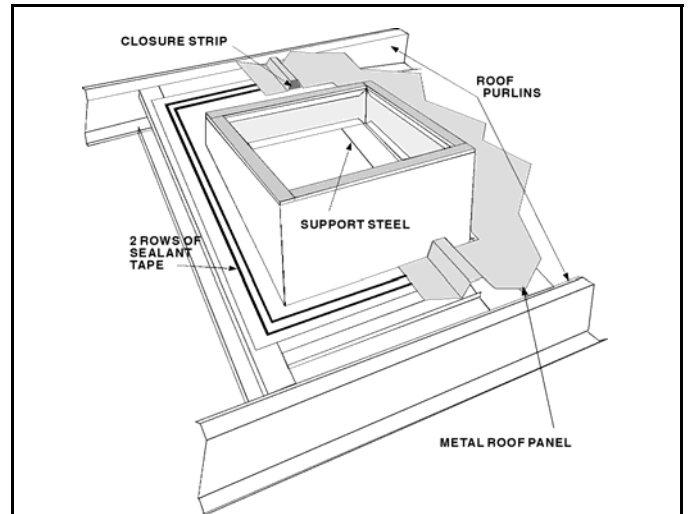
### Type MRSF - INSTALLATION INSTRUCTIONS

TO BE INSTALLED *UNDER* THE ROOF DECK



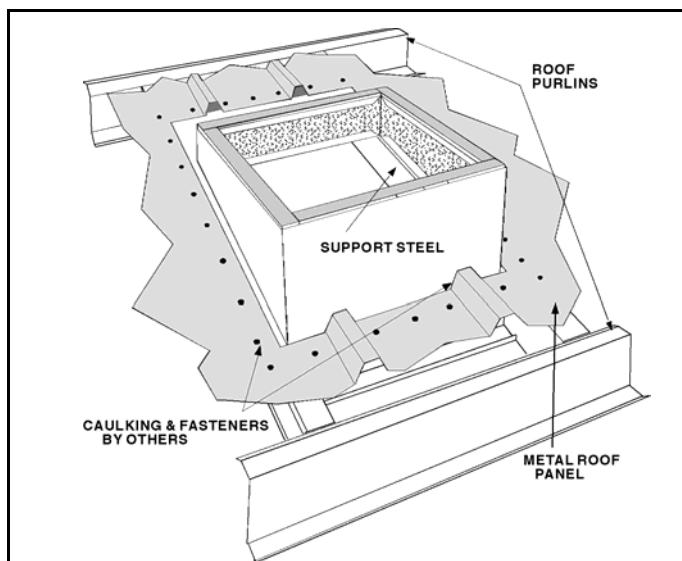
#### STEP 1

After building framing is complete, locate roof opening and install support framing for roof curb and equipment loads in accordance with building engineer's specifications. See "TYPICAL FRAMED OPENING DETAILS" sheet for recommended X and Y dimensions.



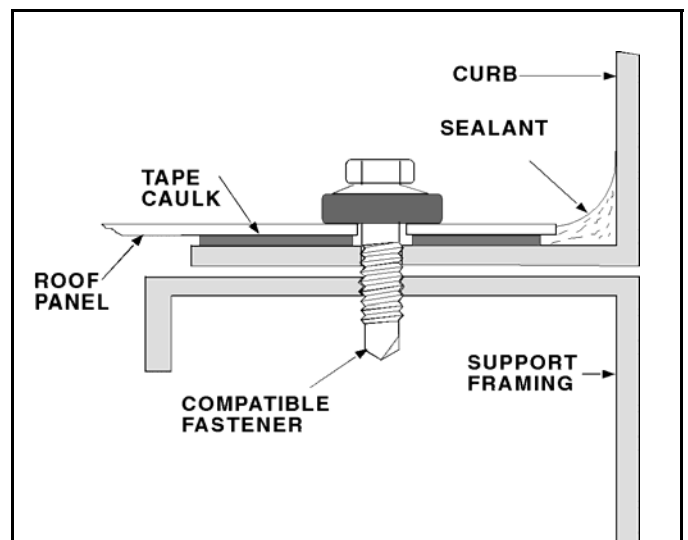
#### STEP 2

Cut roof panels to fit snugly around curb walls and to within 1" of the water diverter.  
 Apply two rows of sealant tape on the top side of the curb flange. Install and seal closure strips as required. Press roof panels into position.



#### STEP 3

Fasten roof panel through curb flanges to support steel using suitable fasteners compatible with roof system. A minimum of four fasteners per side spaced on 6" centers or less as roof system permits. Fasteners should withstand a minimum pullout force of 160 pounds each.



#### STEP 4

Inspect installation and fasteners. Apply sealant to seams around all sides of curb to assure a watertight seal.