

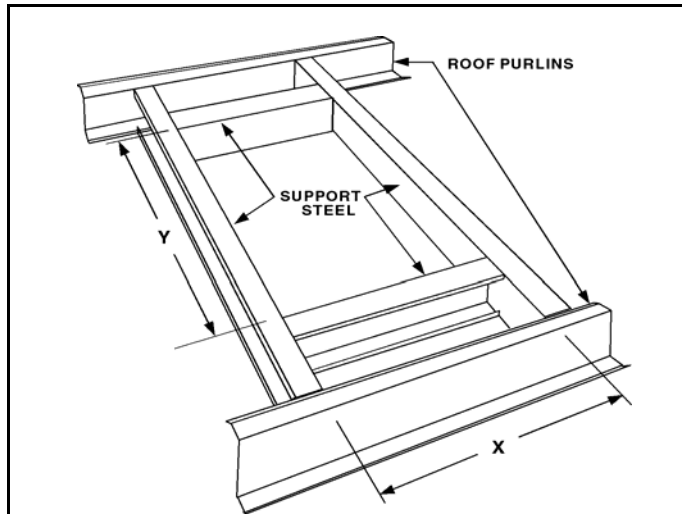


6532 TOWER LANE, CLAREMORE, OK. 74019  
Phone: 877-728-3278 Fax: 877-203-1998  
{A Division of Acme Mfg. Corp.}

# Metal Roof Curb With Loose Clips Type FCMR-2 (New Roof)

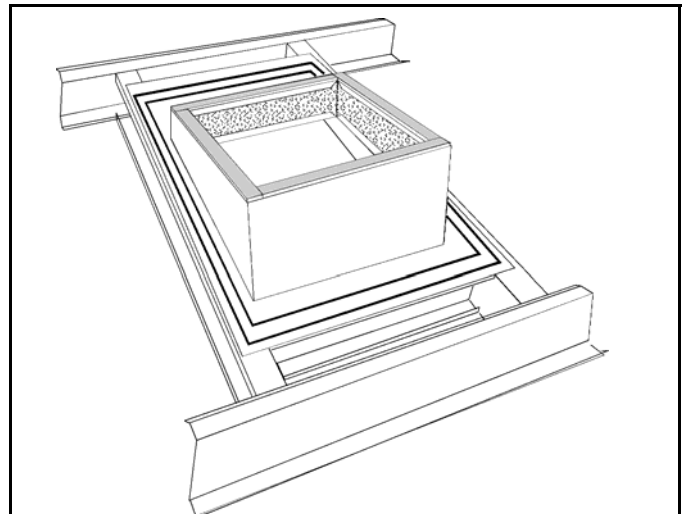
## Type FCMR-2 (NEW ROOF) - INSTALLATION INSTRUCTIONS

### FOR INSTALLATION ON TOP OF A NEW ROOF



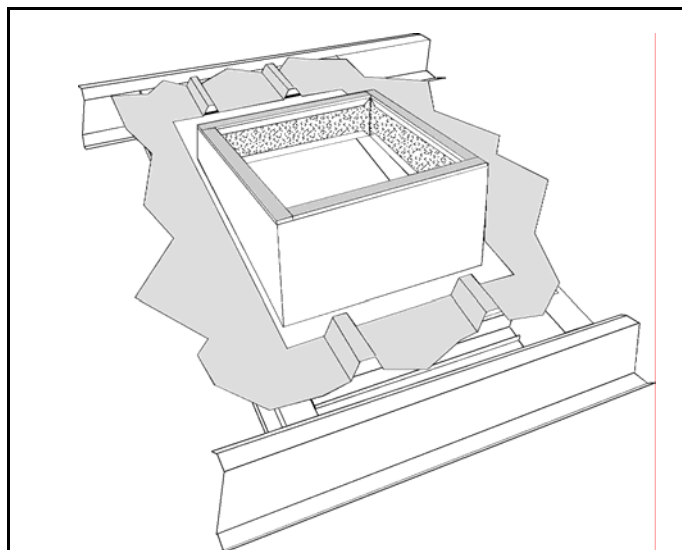
**STEP 1**

After building framing is complete, locate roof opening and install support framing for roof curb and equipment loads in accordance with building engineer's specifications. See "TYPICAL FRAMED OPENING DETAILS" sheet for recommended X and Y dimensions.



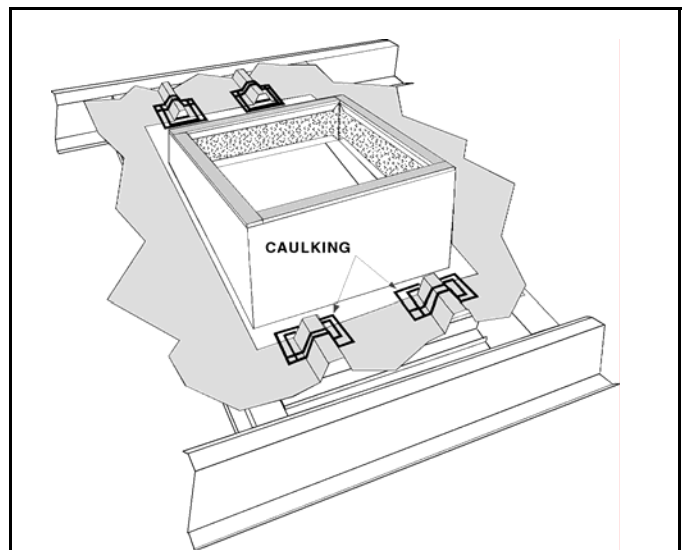
**STEP 2**

Set curb on top of framed opening and apply 2 rows of sealant tape around perimeter.



**STEP 3**

Cut roof panels to fit around curb, leaving clearance on uphill and downhill sides for rib clips.



**STEP 4**

Test fit rib clips. When satisfied with fit, apply high grade caulking liberally around panel ribs and curb where rib clips will attach.



6532 TOWER LANE, CLAREMORE, OK. 74019  
Phone: 877-728-3278 Fax: 877-203-1998  
(A Division of Acme Mfg. Corp.)

## Metal Roof Curb With Loose Clips Type FCMR-2 (New Roof)

### Type FCMR-2 (NEW ROOF) - INSTALLATION INSTRUCTIONS

FOR INSTALLATION ON TOP OF A NEW ROOF

