

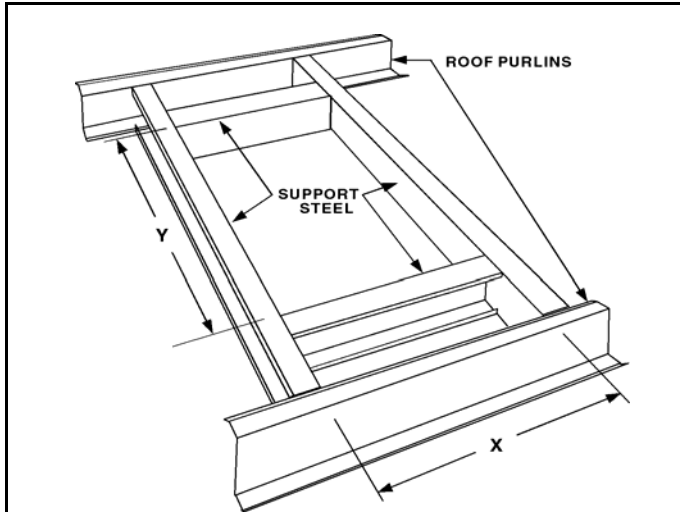


6532 TOWER LANE, CLAREMORE, OK. 74019  
 Phone: 877-728-3278 Fax: 877-203-1998  
 [A Division of Acme Mfg. Corp.]

## Metal Roof Curb With Loose Clips Type FCMR-2 (Existing Roof)

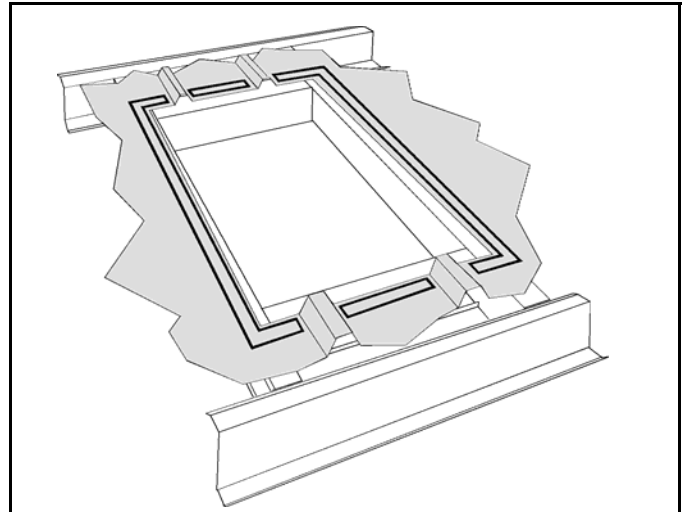
### Type FCMR-2 (EXISTING ROOF) - INSTALLATION INSTRUCTIONS

FOR INSTALLATION ON TOP OF AN EXISTING ROOF



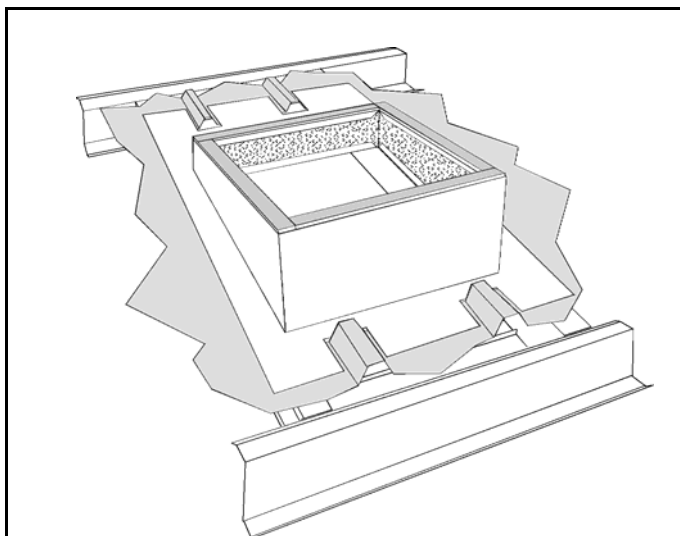
**STEP 1**

After building framing is complete, locate roof opening and install support framing for roof curb and equipment loads in accordance with building engineer's specifications. See "TYPICAL FRAMED OPENING DETAILS" sheet for recommended X and Y dimensions.



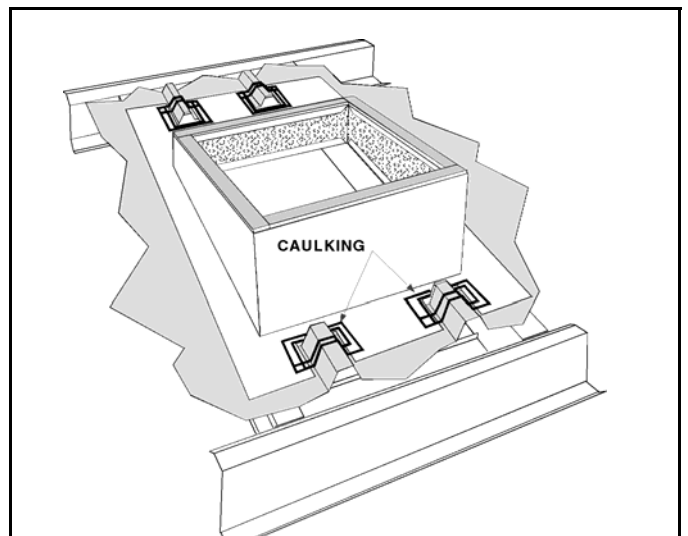
**STEP 2**

Cut roof panels to fit opening of curb on sloping sides and with ribs overlapping curb flanges by 3/2" on eave and ridge sides. Cut openings in curb flanges to clear ribs and test fit curb. Set curb aside and apply a minimum of two rows of sealant tape on the top side of the roof panel.



**STEP 3**

Set curb on top of sealant tape and press firmly in place.



**STEP 4**

Apply high grade caulking liberally around curb flanges and ribs where loose clips attach



6532 TOWER LANE, CLAREMORE, OK. 74019  
Phone: 877-728-3278 Fax: 877-203-1998  
[A Division of Acme Mfg. Corp.]

## Metal Roof Curb With Loose Clips Type FCMR-2 (Existing Roof)

### Type FCMR-2 (EXISTING ROOF) - INSTALLATION INSTRUCTIONS

FOR INSTALLATION ON TOP OF AN EXISTING ROOF

