



6532 Tower Lane, Claremore, OK 74019  
 PHONE (877)-728 3278 FAX (877)-203-1998  
 (A Division of Acme Manufacturing Corp.)

## Dektite™ Pipe Curb Type FCPC

### STANDARD FEATURES

Constructed of 18 ga. galv. steel with continuous welded seams and integral base plate for water tightness and extra strength.

Lined with 1½" fiberglass fire proof sound attenuating thermal insulation.

2 x 2 treated wood nailer.

Galvanized flashing cap.

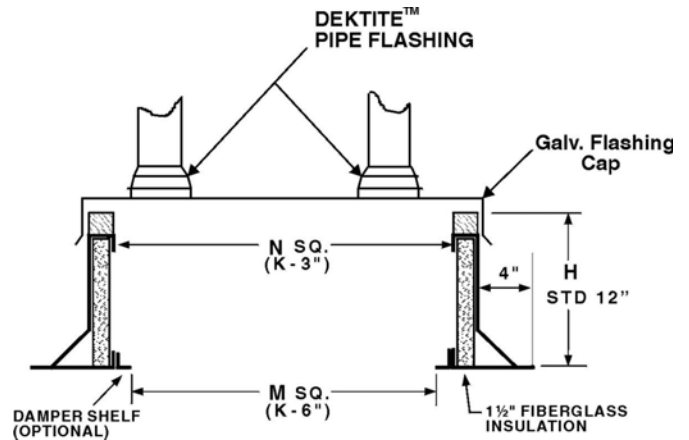
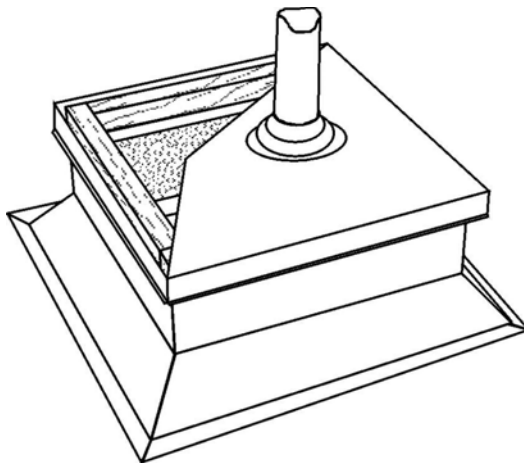
Dektite™ pipe flashing field fastened to galvanized flashing cap.

Uses SF or RF curb. Curb style must be specified.

### OPTIONS

- Constructed of .063" aluminum.
- Interior metal liner.
- Heights of 8, 14, 16, 18, 20, 24".
- Damper shelf – standard or custom size opening.
- Heavy-gage construction.

PROJECT	
LOCATION	
ARCHITECT	
ENGINEER	
CONTRACTOR	
SUBMITTED BY	
DATE	PO#



### SPECIFICATIONS AND DIMENSIONS

REFERENCE	QUAN.	O.D. CURB	PIPE SIZE	CURB TYPE	H	OPTIONS